

## LXXG(R)-50A-300A

### Woltman type irrigation & agriculture water meter

This type of water meter can be used for a remote reading transmission system as equipped with a built-in sensor.



#### Application

--Measuring the volume of cold (hot) water passing through the pipeline

#### Feature:

- Removable element structure, easy installation and maintenance;
- Dry-dial, Magnetic drive;
- Large flow capacity, small pressure loss;
- Resist water hammer and pollution;
- Vacuum sealed register ensures the dial keep free from condensation and keep the reading clear in a long term service;
- Selected high quality materials for steady and reliable characteristic;
- Technical data conform to international standard ISO 4064.

#### Working condition

Water temperature:  $0.1^{\circ}\text{C} \sim 40^{\circ}\text{C}$  ( $0.1^{\circ}\text{C} \sim 90^{\circ}\text{C}$  for hot water meter)

Water pressure:  $\leq 1.0\text{Mpa}$  (1.6MPa on request)

#### Maximum permissible errors

- (1) in the lower zone from  $q_{\min}$  inclusive up to but excluding  $q_t$  is  $\pm 5\%$
- (2) in the upper zone from  $q_t$  inclusive up to and including  $q_s$  is  $\pm 2\%$  ( $\pm 3\%$  for hot water meter)

---

#### NINGBO AIMEI METER MANUFACTURE CO., LTD.

**Address:** 68 Western Town Road Shangtian Town Fenghua City Zhejiang China-315511

Tel: +86-574-88637838

Fax: +86-574-88637968

Email: [aimei@chinaaimei.com](mailto:aimei@chinaaimei.com)

## MAIN TECHNICAL SPECIFICATIONS FOR COLD WATER

Type	Size (mm)	Class	q <sub>s</sub>	q <sub>p</sub>	q <sub>t</sub>	q <sub>min</sub>	Min. Reading	Max. Reading
			Overload Flow	Permanent Flow	Transitional Flow	Min. Flow		
LXXG -50A	50	A	30	15	4.5	1.2	0.0002	999,999
		B			3.0	0.45		
LXXG -65A	65	A	50	25	7.5	2.0	0.002	999,999
		B			5	0.75		
LXXG -80A	80	A	80	40	12	3.2	0.002	999,999
		B			8.0	1.2		
LXXG -100A	100	A	120	60	18	4.8	0.002	999,999
		B			12	1.8		
LXXG -125A	125	A	200	100	30	8	0.002	999,999
		B			20	3		
LXXG -150A	150	A	300	150	45	12	0.002	999,999
		B			30	4.5		
LXXG -200A	200	A	500	250	75	20	0.002	999,999
		B			50	7.5		
LXXG -250A	250	A	800	400	120	32	0.02	9,999,999
		B			80	12		
LXXG -300A	300	A	1200	600	180	48	0.02	9,999,999

## DIMENSIONS

Type	Size	L Length	H Height	Connecting flange			
				φ D1 Outside diameter	φ D2 Bolt circle diameter	Connecting Bolts (n-M)	Bolts
	mm						
LXXG-50A	50	200	253	165	125	4-M16	
LXXG-65A	65	200	268	185	145	4-M16	
LXXG-80A	80	225	284	200	160	8-M16	
LXXG-100A	100	250	295	220	180	8-M16	
LXXG-125A	125	250	310	250	210	8-M16	
LXXG-150A	150	300	339	285	240	8-M20	
LXXG-200A	200	350	382	340	295	8-M20(1.0MPa)	
						12-M20(1.6MPa)	

**NINGBO AIMEI METER MANUFACTURE CO., LTD.**

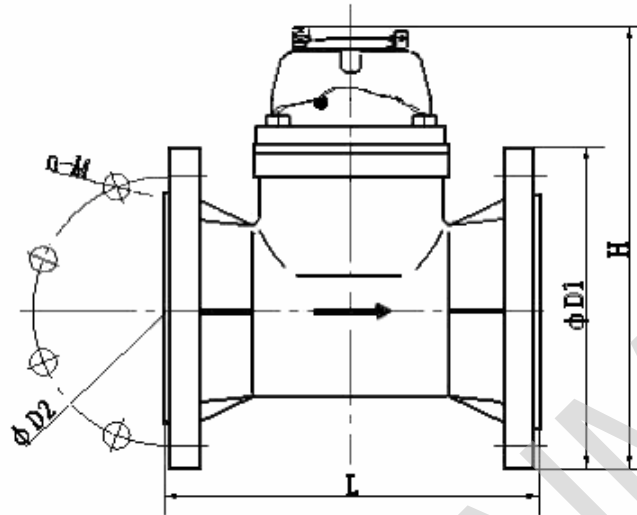
**Address:** 68 Western Town Road Shangtian Town Fenghua City Zhejiang China-315511

Tel: +86-574-88637838

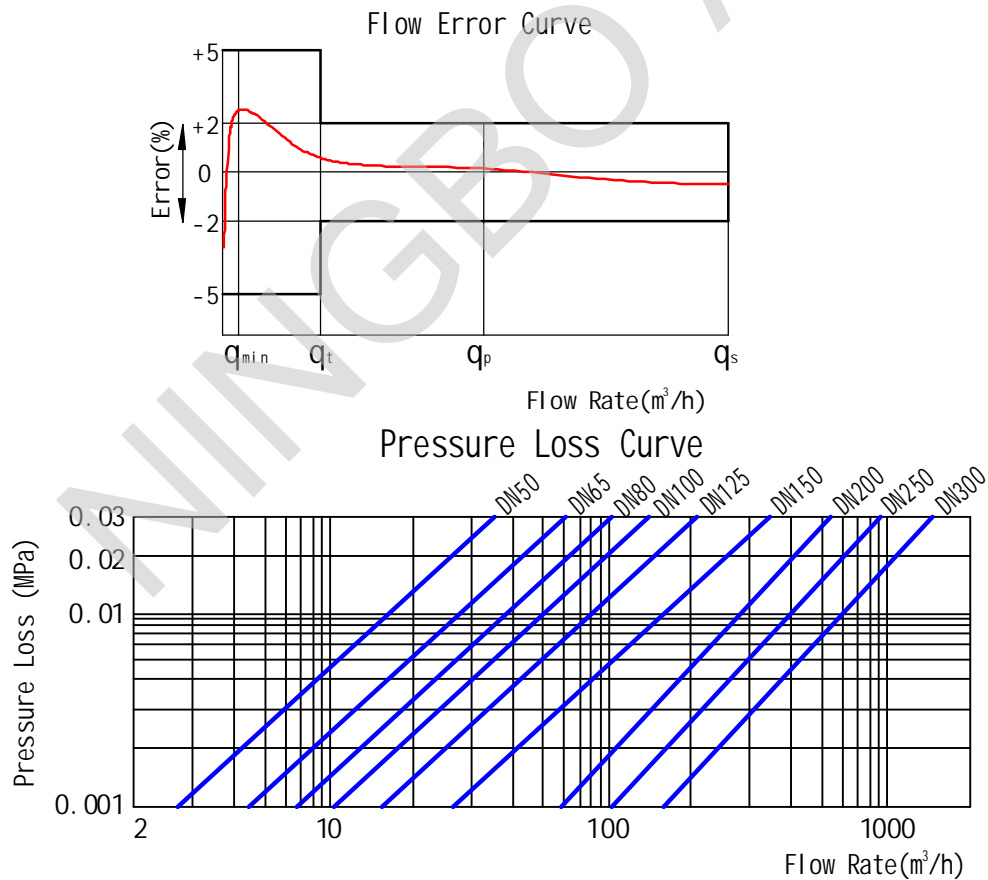
Fax: +86-574-88637968

Email: [aimei@chinaaimei.com](mailto:aimei@chinaaimei.com)

LXXG-250A	250	400	433	395	350	12-M20(1.0MPa)
		450	438	405	355	12-M24(1.6MPa)
LXXG-300A	300	450	483	445	400	12-M20(1.0MPa)
		500	488	460	410	12-M24(1.6MPa)



**NOTE:** The flange dimension conforms to ISO7005-2:1988 standard. Order for products of special requirements is also accepted.



**NINGBO AIMEI METER MANUFACTURE CO., LTD.**

**Address:** 68 Western Town Road Shangtian Town Fenghua City Zhejiang China-315511

Tel: +86-574-88637838

Fax: +86-574-88637968

Email: [aimei@chinaaimei.com](mailto:aimei@chinaaimei.com)



**LXXG-50~300 HORIZONTAL VANE WHEEL, DRY-DIAL COLD WATER METER**

**NINGBO AIMEI METER MANUFACTURE CO., LTD.**

**Address:** 68 Western Town Road Shangtian Town Fenghua City Zhejiang China-315511

Tel: +86-574-88637838

Fax: +86-574-88637968

Email: [aimei@chinaaimei.com](mailto:aimei@chinaaimei.com)

Code	Description	Material	QTY
1	Screw M5×45 For Sealing	Stainless Steel	1
2	Screw M5×45	Stainless Steel	1
3	Cover With Lid	Assembly	1
4	Sealed Register	Assembly	1
5	Fixing pin	Brass	1
6	Retainer Ring	ABS	1
7	Screw	Brass	4
8	Pin	Stainless Steel	1
9	Support	ABS	1
10	Bolt For Sealing	Stainless Steel	2
11	Bolt M12×35	Stainless Steel	2
12	Gasket	Stainless Steel	4
13	Adjusting Nut	Brass	1
14	Flange Plate	Cast Iron	1
15	O-ring	Silicon Rubber	1
16	O-ring	Silicon Rubber	1
17	Bush For Adjustment	Brass	1
18	Upper Bearing Plate	Brass	1
19	Screw	Brass	4
20	Lower Central Gear	Component	1
21	Cover Plate	MPPO	1
22	O-ring For Adjustment	Rubber	2
23	Transmission Gear Component	Assembly	1
24	Adjusting Lever	Brass	1
25	Turbine	Component	1
26	Adjusting Plate	MPPO	1
27	Bush with Agate	Nylon with Graphite	1
28	Measuring Chamber	MPPO	1
29	Fixing Screw	Brass	3
30	O-ring	Rubber	1
31	Body	Cast Iron	1

---

**NINGBO AIMEI METER MANUFACTURE CO., LTD.**

**Address:** 68 Western Town Road Shangtian Town Fenghua City Zhejiang China-315511

Tel: +86-574-88637838

Fax: +86-574-88637968

Email: [aimei@chinaaimei.com](mailto:aimei@chinaaimei.com)