
MULTI-JET DRY TYPE WATER METER

MODEL: MSA-15



APPLICATION

Measuring the volume of cold potable water passing through the pipeline

FEATURES

Dry type, magnetic drive, antimagnetic function, easy and long term clear reading, frost resistance, long work life

Available with non-return valve and inlet strainer on request

WORKING CONDITION

Water temperature: ≤ 40 for cold water meter

≤ 90 for hot water meter

Water pressure: $\leq 1\text{MPa}$ or 1.6MPa optional

(10bar or 16bar optional)

MAXIMUM PERMISSIBLE ERROR

In the lower zone from Q_{\min} inclusive up to but excluding Q_t is $\pm 5\%$ _ In the upper zone from Q_t

inclusive up to and including Q_s is: cold water meter $\pm 2\%$, hot water meter $\pm 3\%$.

NOTE

Technical data conform to International Standard ISO4064

NINGBO AIMEI METER MANUFACTURE CO., LTD.

Address: 68 Western Town Road Shangtian Town Fenghua City Zhejiang China-315511

Tel: +86-574-88637838

Fax: +86-574-88637968

Email: aimei@chinaaimei.com

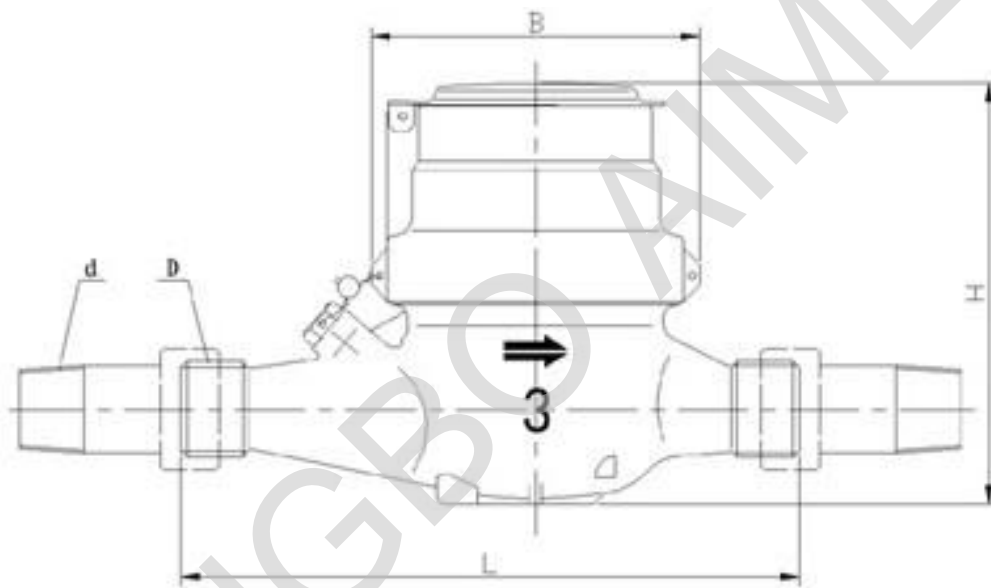
MAIN TECHNICAL DATA

Type	Size (mm)	Class	Qn Max. Flow	Qp Nominal Flow	Qn Transitional Flow	Qmin Min. Flow	Min. Reading	Max. Reading
			M ³ /h		L/h			
MSA-15	15	A	3	1.5	150	60	0.0001	99999
		B			120	30		

ACCESSORIES

Each water meter has one set couplings optional: 2pcs tube, 2pcs nut and 2pcs gasket.

DIMENSIONS AND WEIGHT



Type	Size	Length	Width	Height	Connecting Thread D	Weight (kg)
	mm					
MSA-15	15	165	99	115	G 3/4B	1.6

NINGBO AIMEI METER MANUFACTURE CO., LTD.

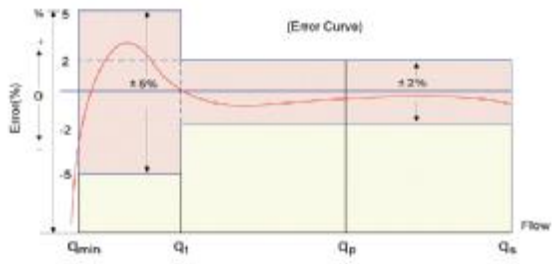
Address: 68 Western Town Road Shangtian Town Fenghua City Zhejiang China-315511

Tel: +86-574-88637838

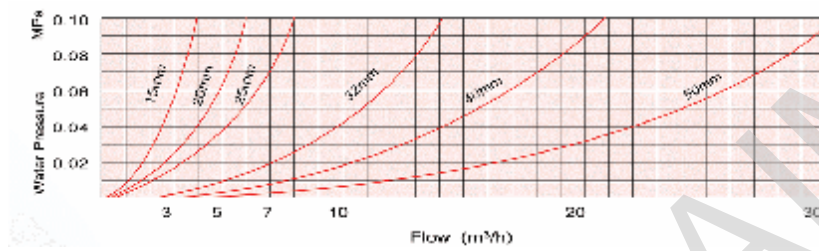
Fax: +86-574-88637968

Email: aimei@chinaaimei.com

FLOW ERROR CURVE



PRESSURE LOSS CURVE



NINGBO AIMEI METER MANUFACTURE CO., LTD.

Address: 68 Western Town Road Shangtian Town Fenghua City Zhejiang China-315511

Tel: +86-574-88637838

Fax: +86-574-88637968

Email: aimei@chinaaimei.com