

**SINGLE JET WET DIAL AND LIQUID-SEALED DIAL WATER METER  
MODEL: LXS-13D LXS-13D**



**APPLICATION:**

This range of water meter is used to measure the total quantity of cold potable water which consumed in household or a resident unit, passing through the pipeline

**FEATURES:**

LXS-13D: Liquid sealed register, long clear breading, etc.

LXS-13D: Small, light, adopting pointer and word-wheel combination count device, convenient reading.

**WORKING CONDITION:**

Water temperature:  $\leq 40^{\circ}\text{C}$  Water pressure:  $\leq 1\text{MPa}$

**COMPLIANCE WITH STANDARD:**

ISO 4064 (GB/T778-1996)

**INDICATION ERROR:**

At low zone is  $\pm 5\%$  from minimum flow rate( $q_{\min}$ ) to transitional flow rate( $q_t$ ) exclusive boundary

At high zone is  $\pm 2\%$  from transitional flow rate( $q_t$ ) to overload flow rate( $q_s$ )

---

**NINGBO AIMEI METER MANUFACTURE CO., LTD.**

**Address:** 68 Western Town Road Shangtian Town Fenghua City Zhejiang China-315511

Tel: +86-574-88637838

Fax: +86-574-88637968

Email: [aimei@chinaaimei.com](mailto:aimei@chinaaimei.com)

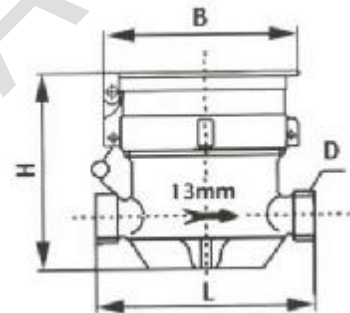
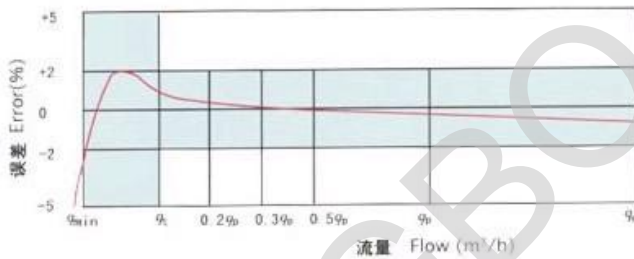
### MAIN TECHNICAL DATA

Type	Size (mm)	Class	Qn	Qp	Qn	Qmin	Min. Reading	Max. Reading
			Max. Flow	Nominal Flow	Transitional Flow	Min. Flow		
			m <sup>3</sup> /h				m <sup>3</sup>	
LXS-13D	13	A	3	1.5	0.150	0.060	0.0001	99,999
		B			0.120	0.030		

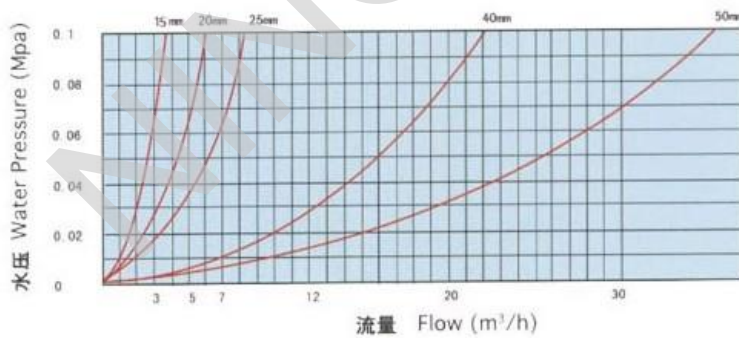
### DIMENSIONS AND WEIGHT

Type	Size (mm)	Length	Width	Height	Connecting Thread D	Weight (kg)
mm					D	kg
LXSC-13D	13	110	85	86	G3/4B	0.95kg
LXSY-13D	13	100	87	89	G1B	0.8kg

### FLOW ERROR CURVE



### PRESSURE LOSS CURVE



**NINGBO AIMEI METER MANUFACTURE CO., LTD.**

**Address:** 68 Western Town Road Shangtian Town Fenghua City Zhejiang China-315511

Tel: +86-574-88637838

Fax: +86-574-88637968

Email: [aimei@chinaaimei.com](mailto:aimei@chinaaimei.com)